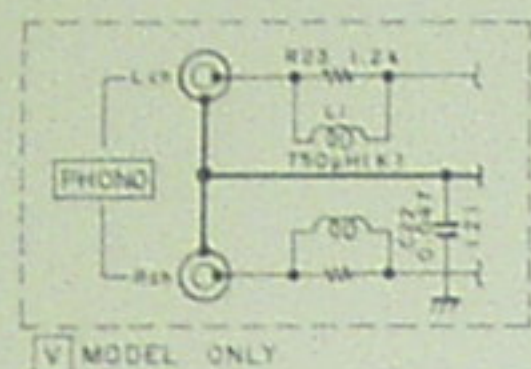
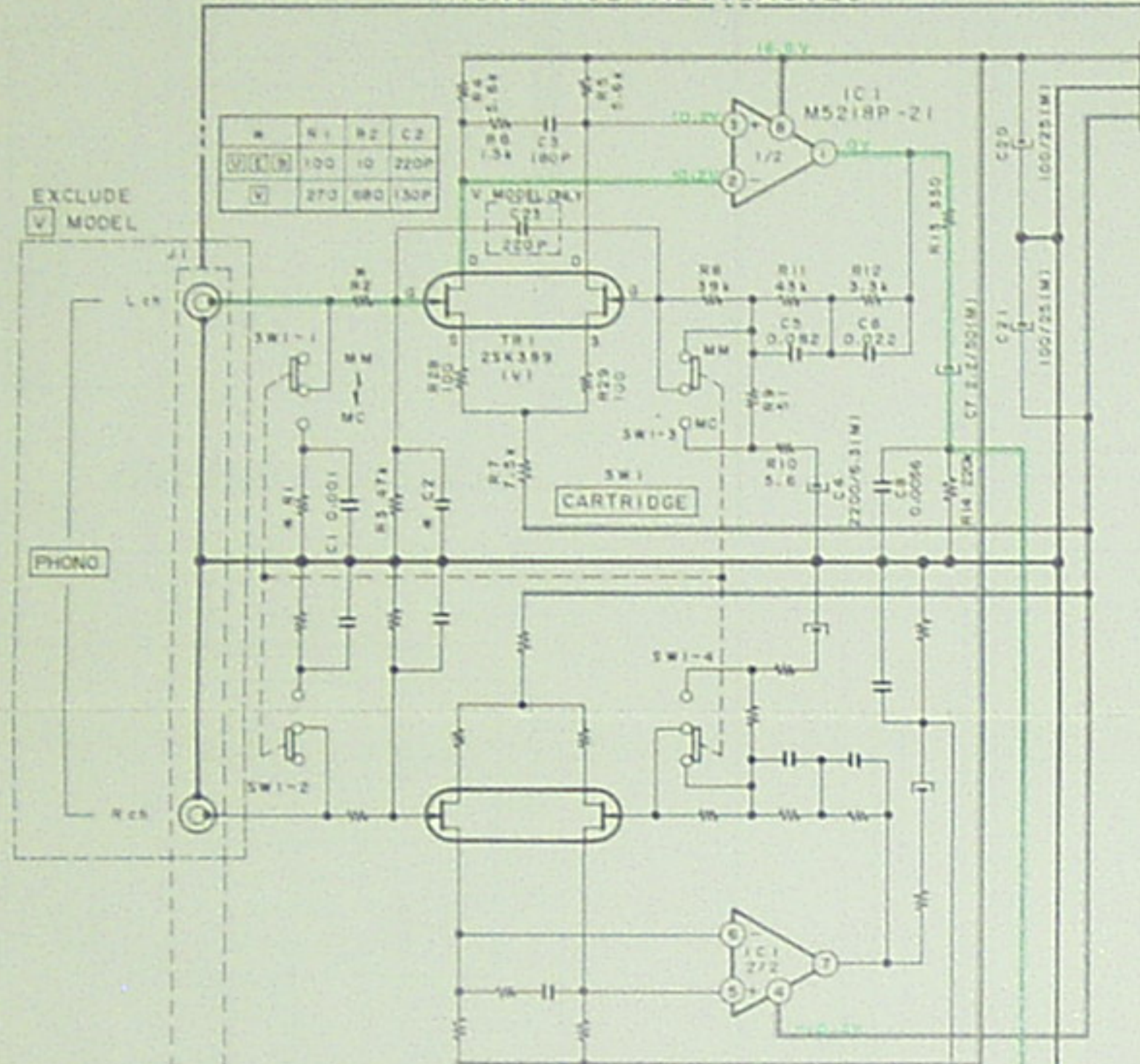


AM-52



V MODEL ONLY

PHONO PCB A2052A502C

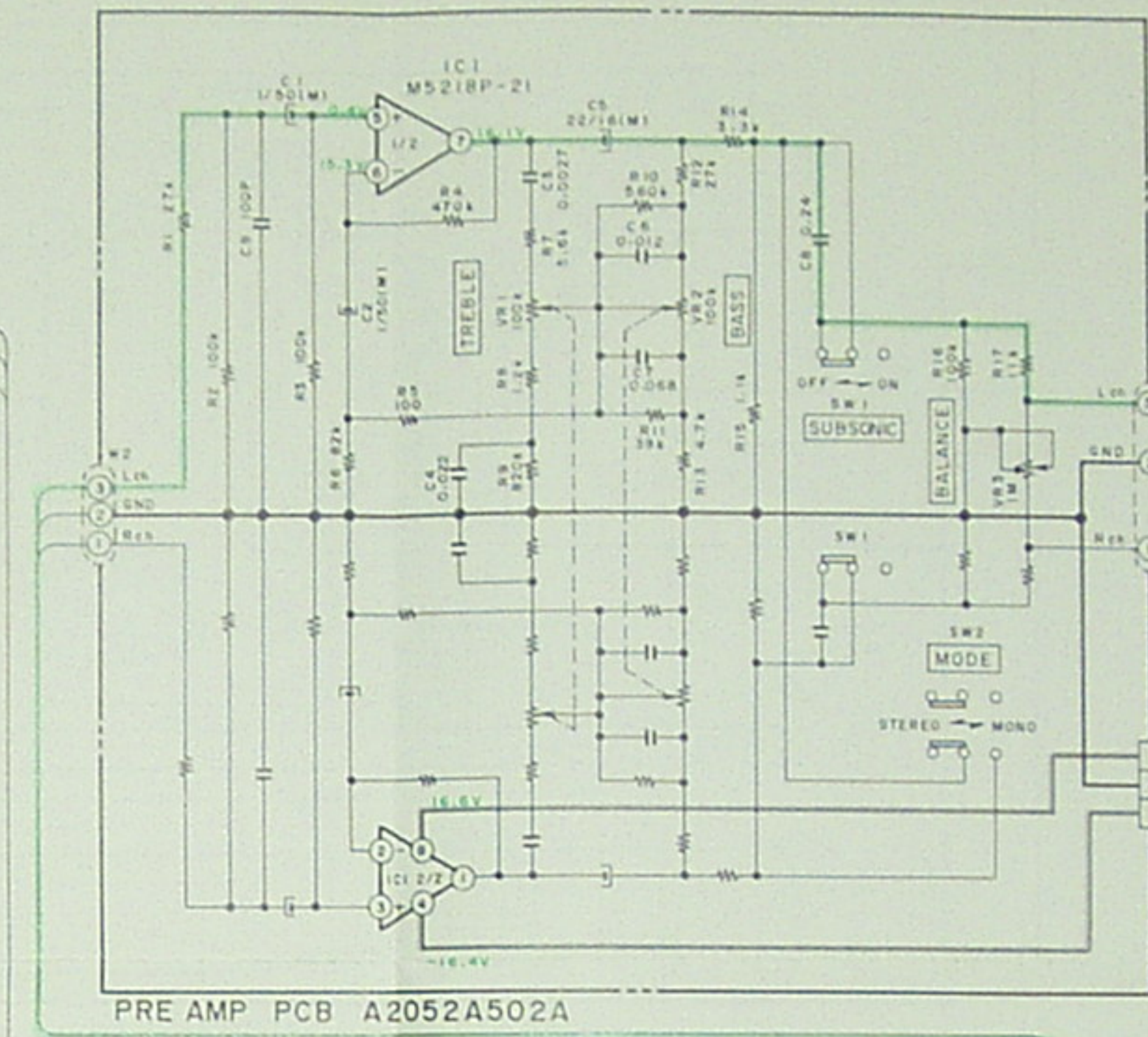


EXCLUDE V MODEL

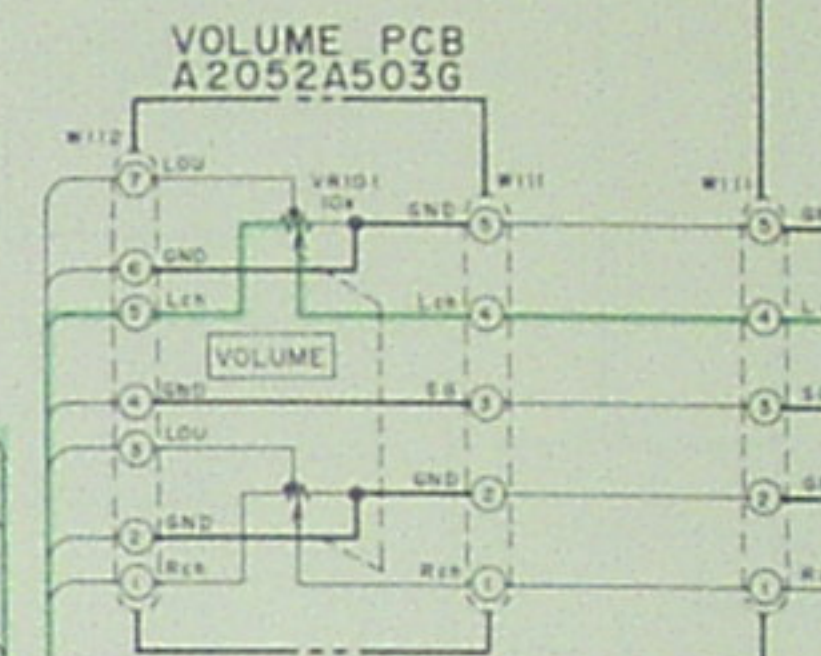
V MODEL ONLY

EXCLUDE V MODEL

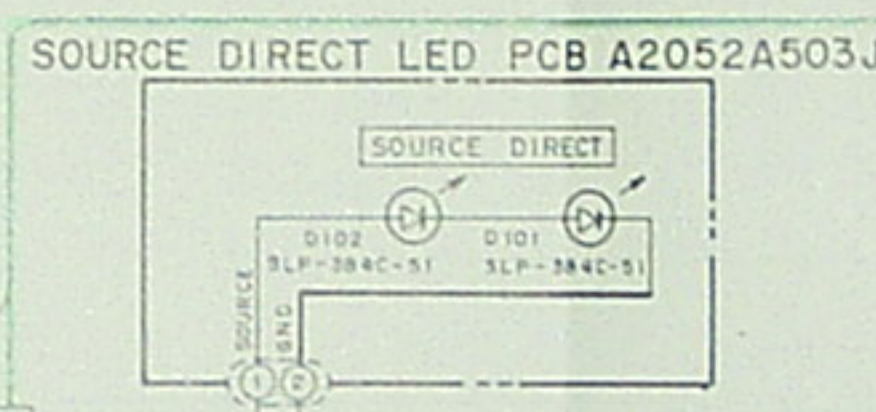
V MODEL ONLY



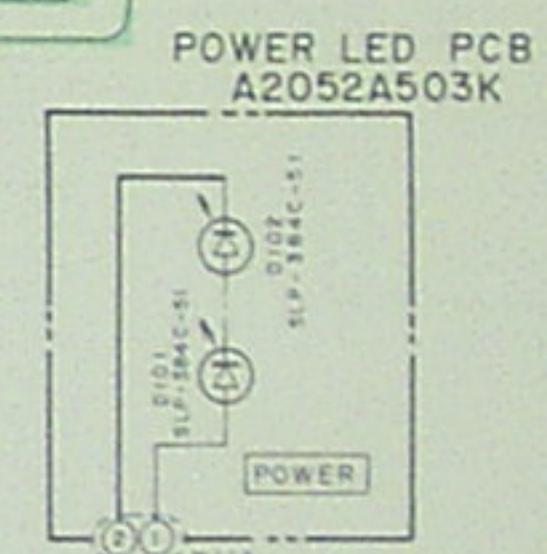
PRE AMP PCB A2052A502A



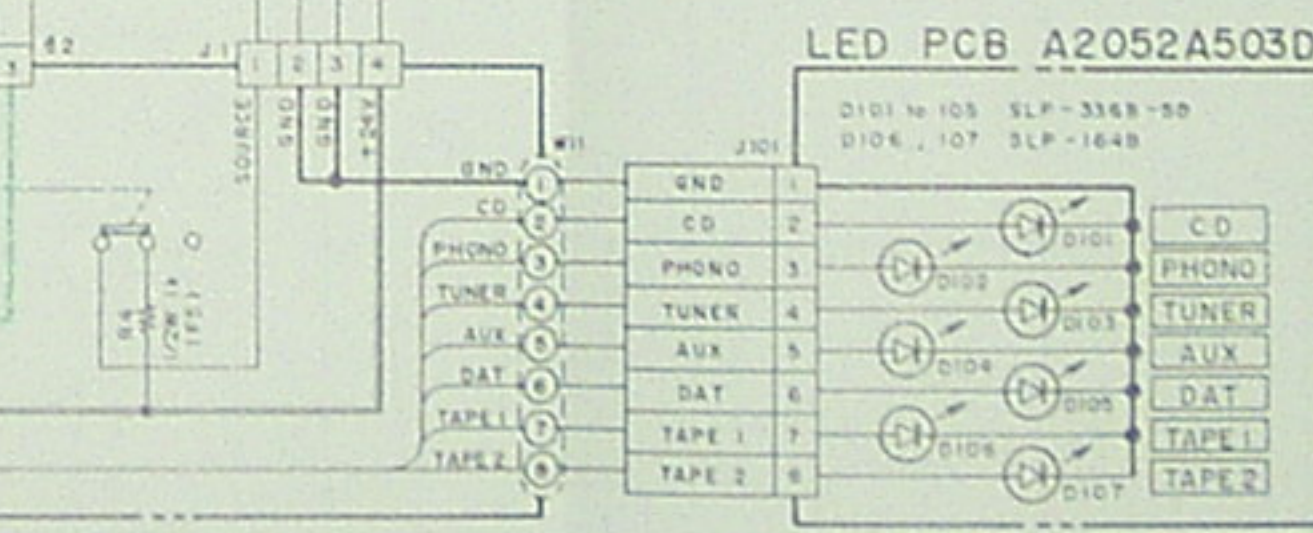
VOLUME PCB A2052A503G



SOURCE DIRECT LED PCB A2052A503J



POWER LED PCB A2052A503K



LED PCB A2052A503D

TW901

EXCLUDE V MODEL

V MODEL ONLY

EXCLUDE V MODEL

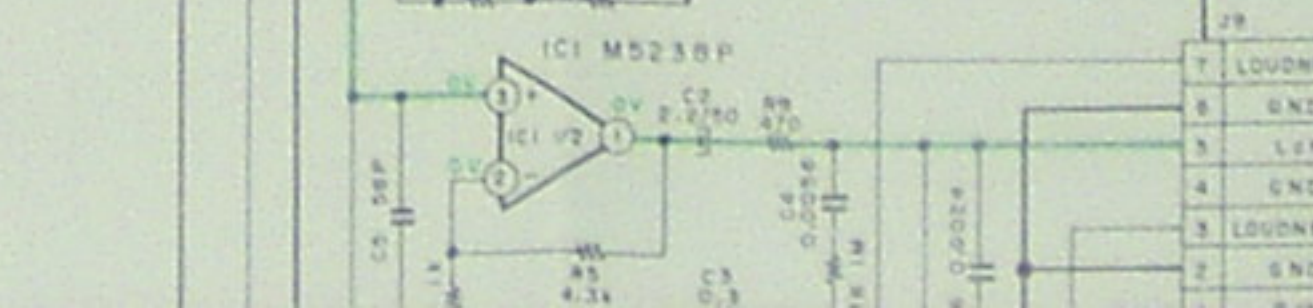
V MODEL ONLY

EXCLUDE V MODEL

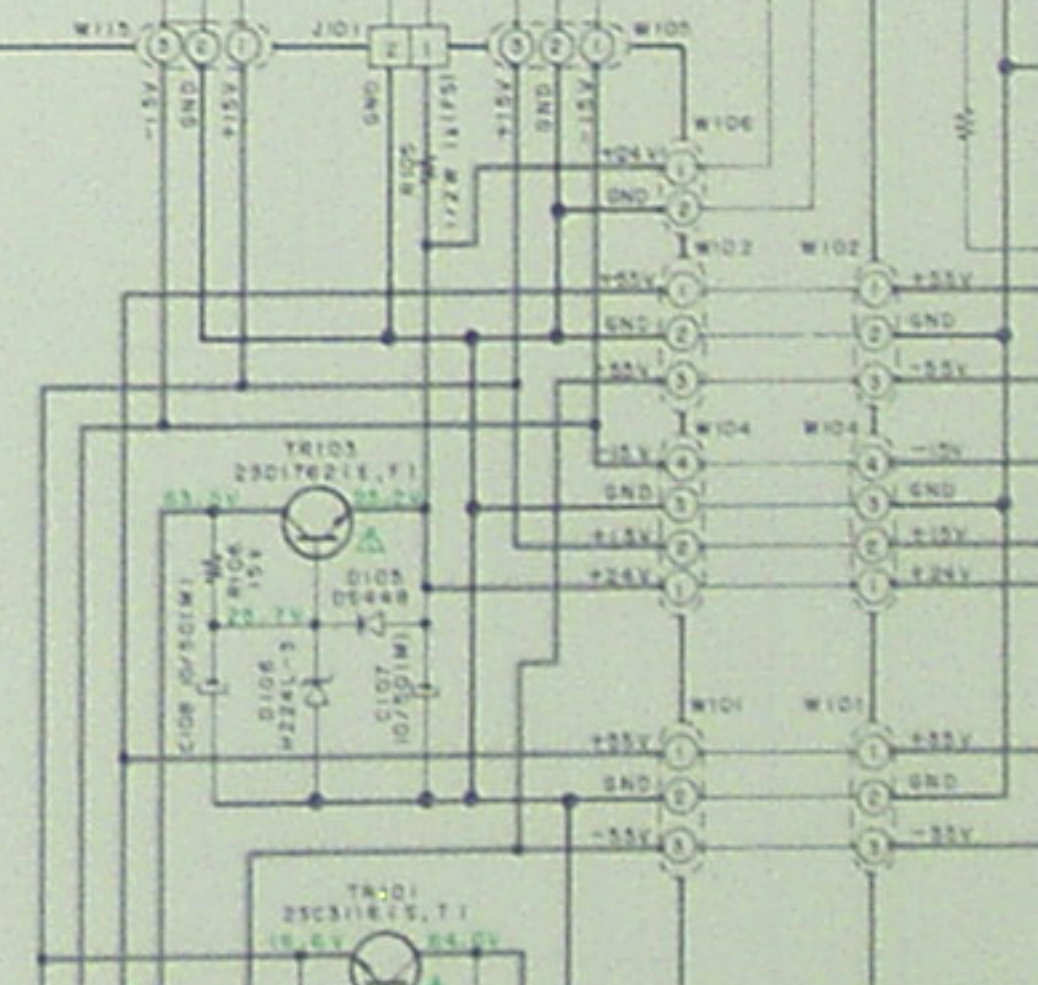
V MODEL ONLY

EXCLUDE V MODEL

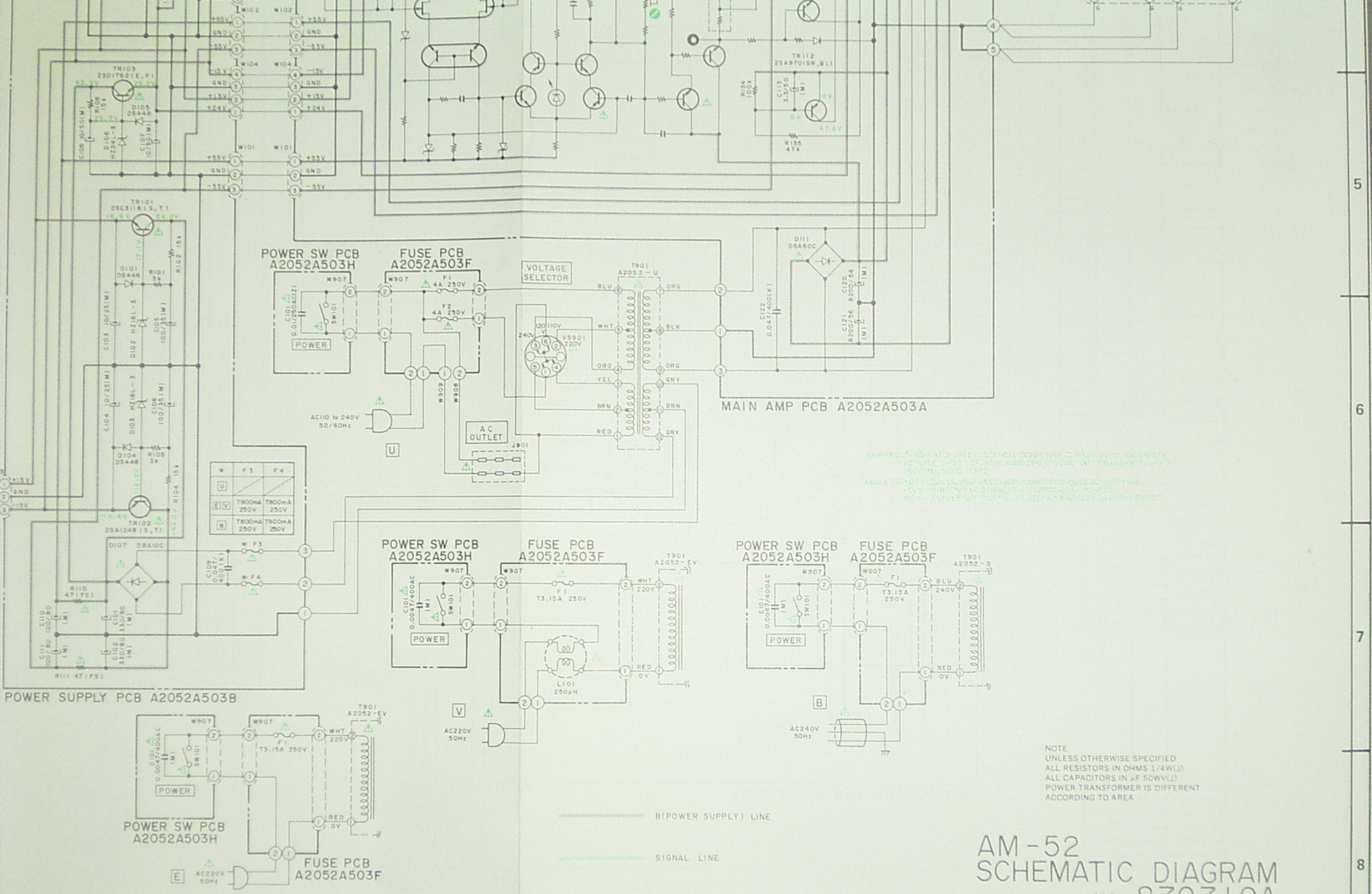
V MODEL ONLY



MUTING PCB A2052A503H



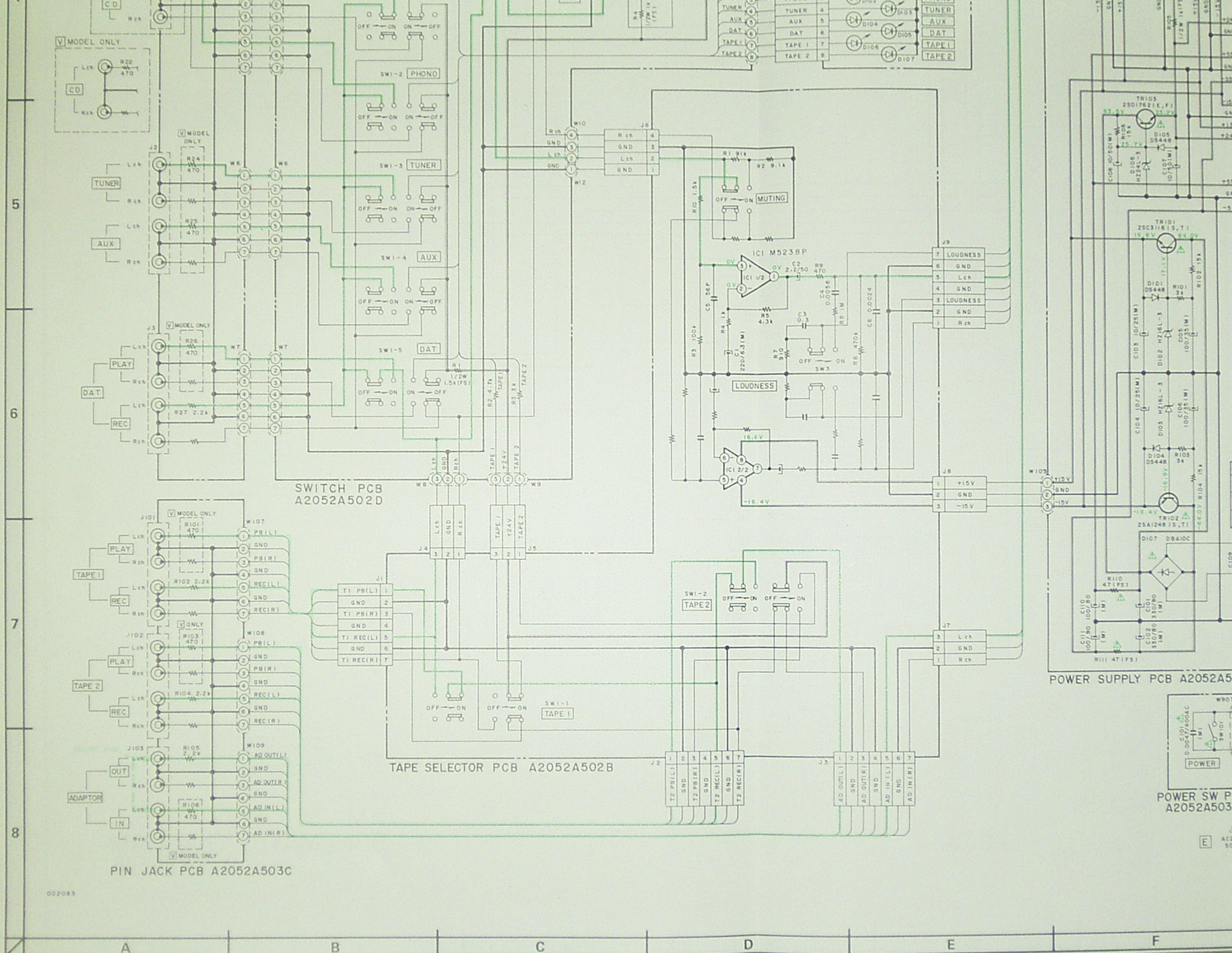
POWER SW PCB A2052A503L



WARNING: ALWAYS SAFETY CONDUCT COMPONENTS FOR CORRECT SAFETY REQUIREMENTS. USE ONLY QUALIFIED PERSONNEL WITH MAINTENANCE APPROVED TOOLS.

ALSO ADVISE THE USER TO ALWAYS USE CORRECT CONNECTIONS TO THE MAIN POWER SUPPLY TO AVOID THE RISK OF FIRE OR ELECTRICAL SHOCK. ALWAYS USE THE CORRECT CONNECTIONS FOR THE TRANSFORMER.

5
6
7
8
F G H I J K



5

6

7

8

PIN JACK PCB A2052A503C

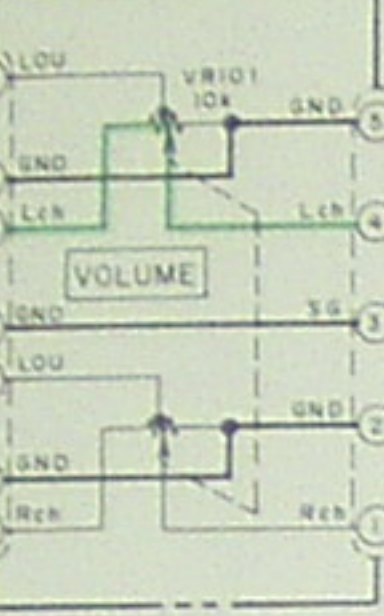
SWITCH PCB A2052A502D

TAPE SELECTOR PCB A2052A502B

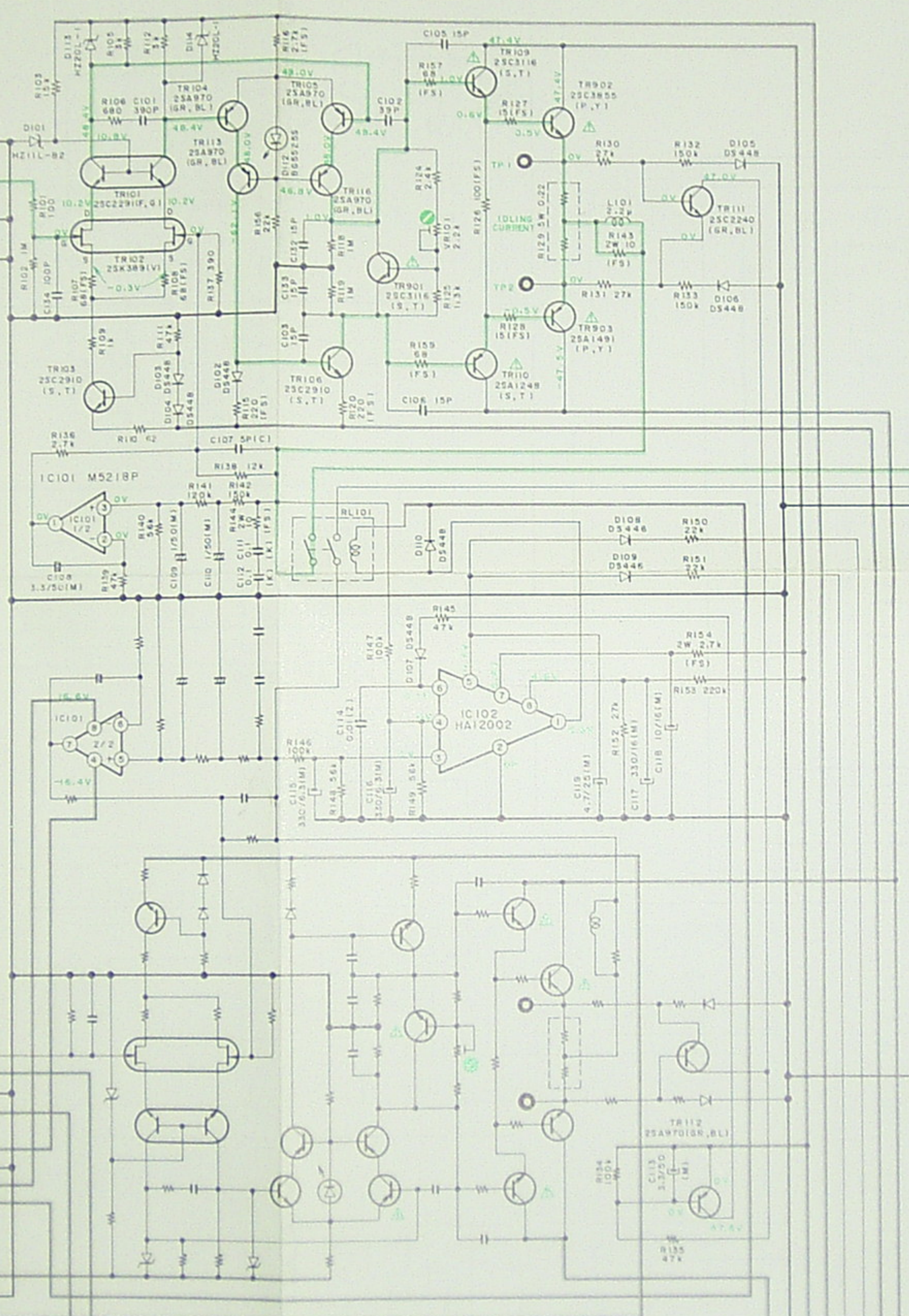
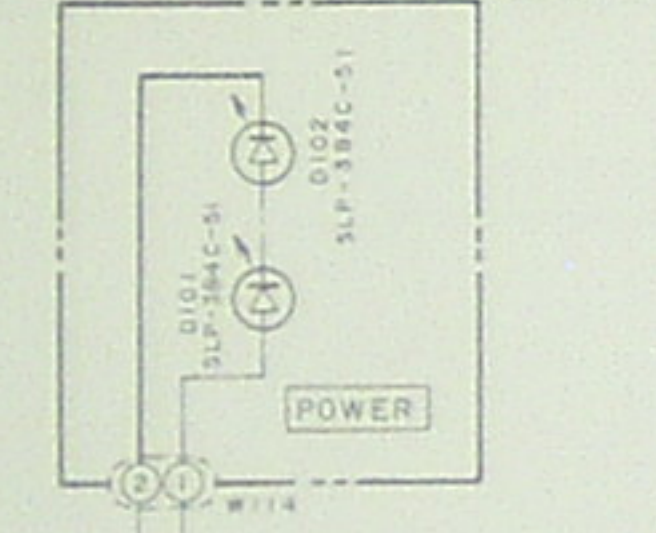
POWER SUPPLY PCB A2052A503

POWER SW PCB A2052A503

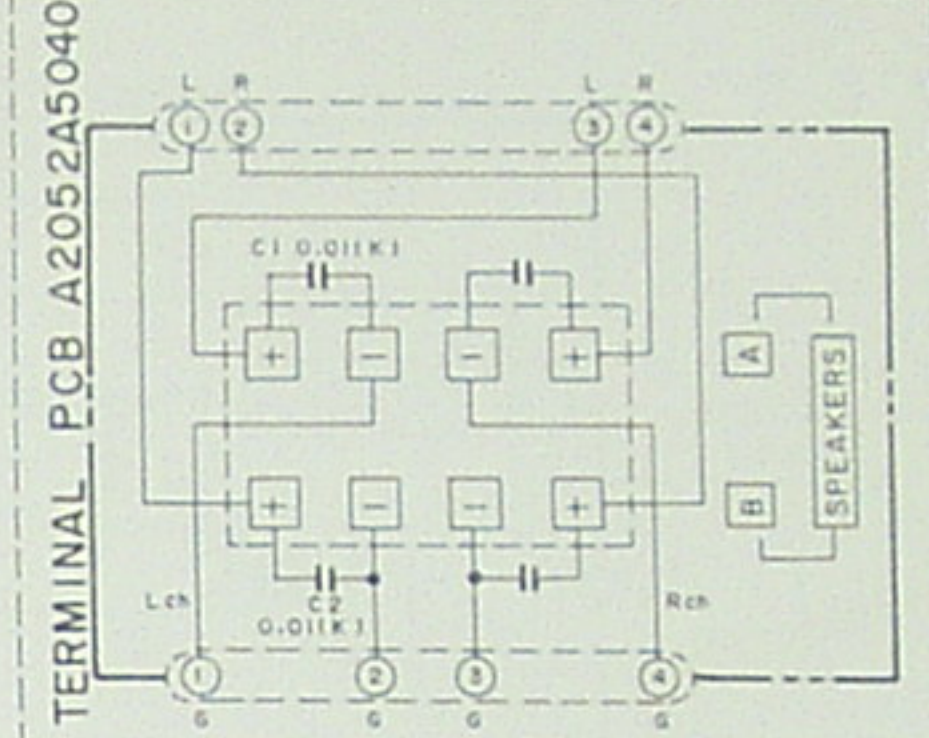
VOLUME PCB
A2052A503G



POWER LED PCB
A2052A503K



MODELS



PHONE PCB A2052A503E

